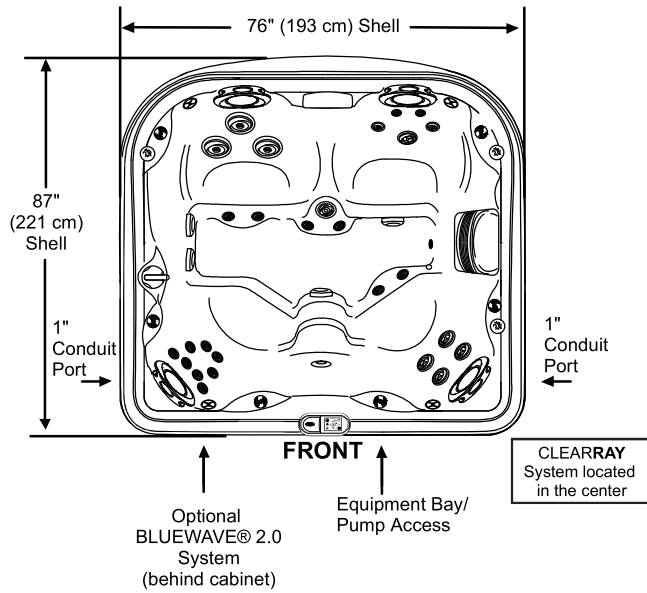


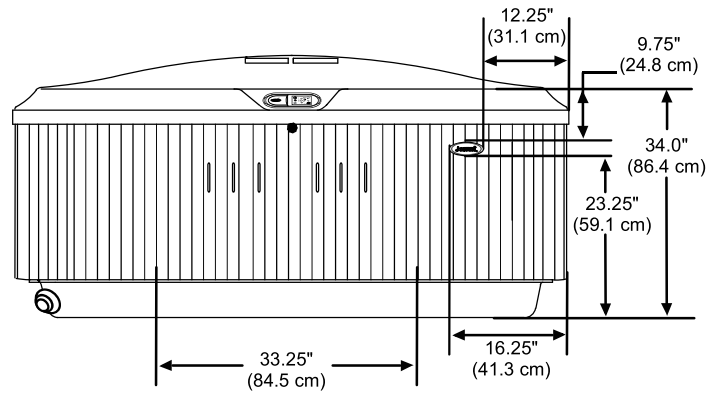
Jacuzzi J-425

TOP VIEW



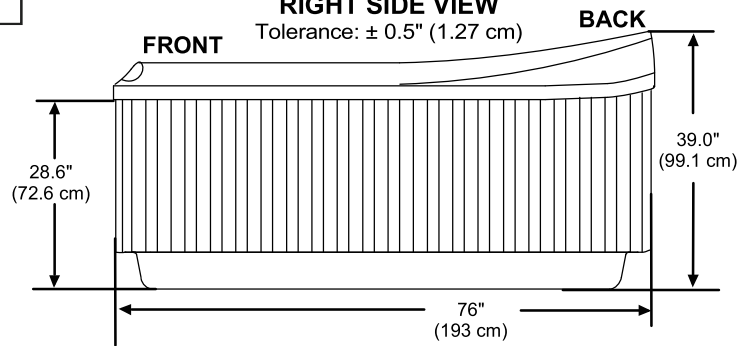
FRONT VIEW
(Front view of stereo option shown)

Tolerance: $\pm 0.5"$ (1.27 cm)

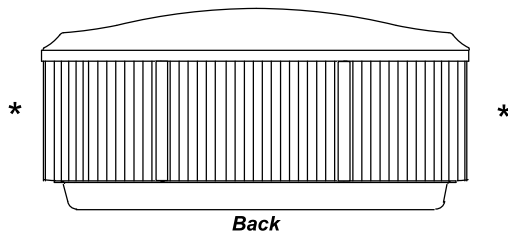


RIGHT SIDE VIEW

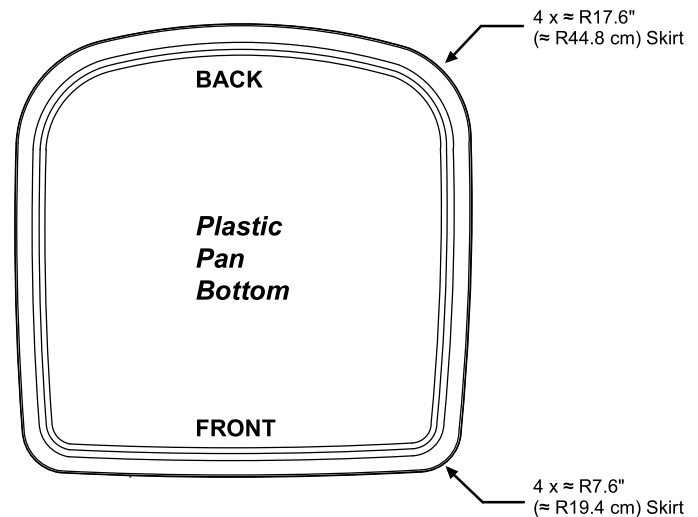
Tolerance: $\pm 0.5"$ (1.27 cm)



Important Panel Access Details



***Note:** Side panels utilize a wrap-around design which meets at the back of the spa. For serviceability, always allow for full side and back panel access.



IMPORTANT! Always measure each hot tub for exact dimensions **BEFORE** designing its foundational support and/or decking.



Dimensions/specifications subject to change without notice. Tolerance: $\pm 0.5"$ (1.27 cm)