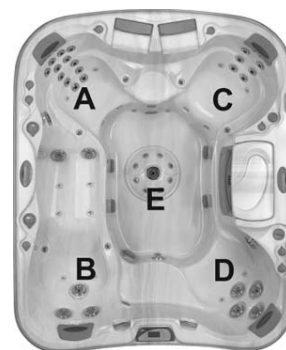


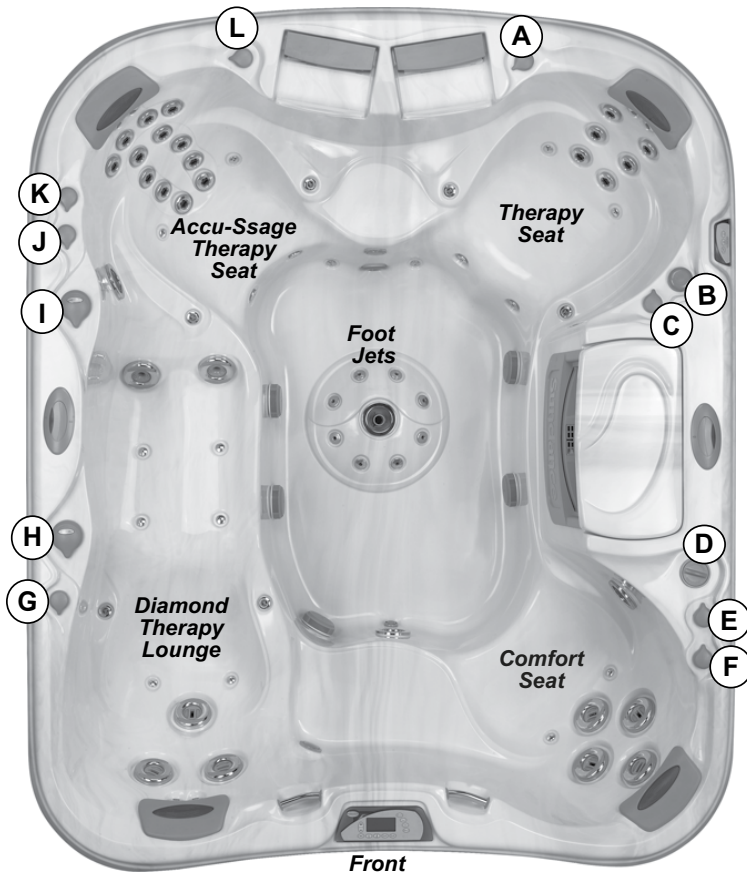
Sundance Spas 880 Series - 2005 Maxxus

- **Dimensions:** 91" x 109" x 41.5" (231cm x 277cm x 100cm)
- **Seating Capacity:** 6-7 Adults
- **Dry Weight:** 1,117lbs (507kg)
- **Filled Weight:** 5,948lbs (2,698kg)
- **Water Capacity (Avg. Fill):** 580 US Gal (2,196 Liters)
- **Controls:** 880 Series Solid State, LCD User Interface
 Displays Temperature, Time, Cycles And
 Fingertip Jet/Air System Control. Offers
 Customization of Preprogrammed Filtration
 Cycles And Water Temperature Setting.
- **Water Delivery:** 3 TheraMax High-Flow Pumps And 24 Hour
 Dynamic Flow Circulation System
- **Pump 1:** North America (60Hz): 1-Speed / 2.5hp Continuous, 11A Max.
 **Export (50Hz): 1-Speed / 2.0hp Continuous, 8.7A Max.**
- **Pump 2:** North America (60Hz): 1-Speed / 2.5hp Continuous, 11A Max.
 **Export (50Hz): 1-Speed / 2.0hp Continuous, 8.7A Max.**
- **Pump 3:** North America (60Hz): 1-Speed / 2.5hp Continuous, 11A Max.
 **Export (50Hz): 1-Speed / 2.0hp Continuous, 8.7A Max.**
- **Pump 4:** High Output 24-Hour Filter/Circulation Pump (35gpm)
- **Total Hydrojets:** 55
- **Accu-Ssage Seat Jets (A):** 12 Fluidix-ST, 2 Euro Jets, 2 Pulsator, 2 Accu-Pressure, 1 Whirlpool
- **Diamond Lounge Jets (B):** 3 Fluidix Intelli-Jets, 2 Euro Jets, 2 Pulsator, 2 Vortex
- **Therapy Seat Jets (C):** 6 Fluidix-ST, 2 Euro Jets, 2 Pulsator, 2 Accu-Pressure
- **Comfort Seat Jets (D):** 4 Fluidix Intelli-Jets, 1 Whirlpool
- **Footwell Jets (E):** 8 Accu-Pressure, 2 Whirlpool
- **Air Blower:** 1.5hp, 1-Speed
- **Aromatherapy Delivery:** 14 Air Injector Jets with Quiet High Speed Air Pump
- **Air Controls/Massage Selectors:** 8 / 2
- **Filter:** 125ft² MicroClean II Filtration System
- **Water Treatment:** Automatic Brominator And Dynamic Flow Circulation System;
 SunZone CD Ready with Factory Installed Ozone Injector
- **Lighting** Multicolor AquaTerrace LED Lighting System (2 Waterfall, 2
 Footwell)
- **Synthetic Cabinet:** Available in Sierra, Coastal, or Birchwood
- **Shell Colors:** Textured Bluegrass, Sahara; Smooth Platinum
- **Handrails:** Two High Quality Stainless Steel
- **ComfortTone Headrests:** Four 2-Part/2-Tone Gray, Bolt-on; Optional Blue or Camel Insert
- **Heater:** 5.5kW with Titanium Element
- **Electrical Requirements:** North America (60Hz): 240VAC @ 50A or 60A;
 **Export (50Hz): 230-240VAC @ 45A or 50A; or Suitable Rated**
 **Circuit Breaker to Comply with Local Electrical Regulations.**
 **Certain Countries May Require Dual Power Inputs; Two 25A**
 **Breakers Are Required for This Configuration.**
- **Limited Warranty:** North America (60Hz): 10 Years Shell, 7 Years Shell Surface,
 (See Warranty Document 5 Years Plumbing Component Leaks, 5 Years Equipment &
 for Specific Details) Controls
 **Export (50Hz): 10 Years Shell, 7 Years Shell Surface, 2 Years**
 **Plumbing Component Leaks, 2 Yrs. Equipment & Controls**
- **Waterfall Feature:** Adjustable Flow Rate
- **Special Features:** Optional Factory Installed SunSound Audio System with Deluxe
 Remote
- **Inground Model** Not Available



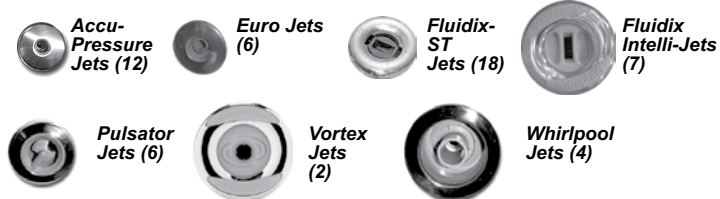
Sundance Spas 880 Series - 2005 Maxxus

Air Control / Massage Selector Operation



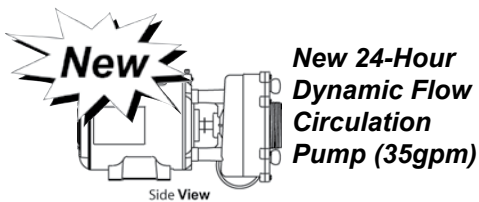
- (A)** Air Control - Adjusts Center Footwell Whirlpool Jet.
- (B)** Waterfall Selector [Circ. Pump] - Controls Waterfall Output
- (C)** Air Control - Adjusts All Therapy Seat Jets (2 Euro Jets, 2 Pulsators, 6 Fluidix-ST, 2 Accu-Pressure)
- (D)** *New for 2005 - Sundance SunScents Dispenser*
- (E)** Air Control - Adjusts Sidewall Whirlpool Jets in Comfort Seat And Accu-Ssage Therapy Seat
- (F)** Air Control - Adjusts All Comfort Seat Jets (4 Fluidix Intelli-Jets) And Side Footwell Whirlpool Jet.
- (G)** Air Control - Adjusts Diamond Therapy Lounge Jets (3 Fluidix Intellijets, 2 Euro Jets, 2 Pulsators, 2 Vortex Jets)
- (H)** Massage Selector [Pump 1] - Adjusts Massage Level Between All Diamond Therapy Lounge Jets (2 Euro Jets, 3 Fluidix Intelli-Jets, 2 Pulsators, 2 Vortex) And Both Footwell Whirlpool Jets
- (I)** Massage Selector [Pump 2] - Adjusts Massage Level Between All Accu-Ssage Therapy Seat Jets (12 Fluidix ST, 2 Pulsator, 2 Euro Jets, 2 Accu-Pressure) And Both Sidewall Whirlpool Jets.
- (J)** Air Control - Adjusts Lower Accu-Ssage Therapy Seat Jets (8 Fluidix-ST, 2 Pulsator, 2 Accu-Pressure)
- (K)** Air Control - Adjusts Upper Accu-Ssage Therapy Seat Jets (2 Euro Jets and 4 Fluidix ST)
- (L)** Air Control - Adjusts Eight Foot Jets in Footwell (8 Accu-Pressure)

55 Total Jets:

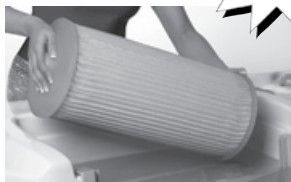


- All Comfort Seat Jets Are Always On When Jets Pump #1 is Running.
- All Accu-Ssage Therapy Seat Calf Jets Are Always On When Jets Pump #2 is Running.
- All Therapy Seat Jets And Eight Footwell Accu-Pressure Jets Are Always On When Jets Pump #3 is Running.

NEW FOR 2005!



MicroClean II Filtration System



Quiet 1.5hp Blower Motor, 14 Air Injectors, with SunScents Dispenser



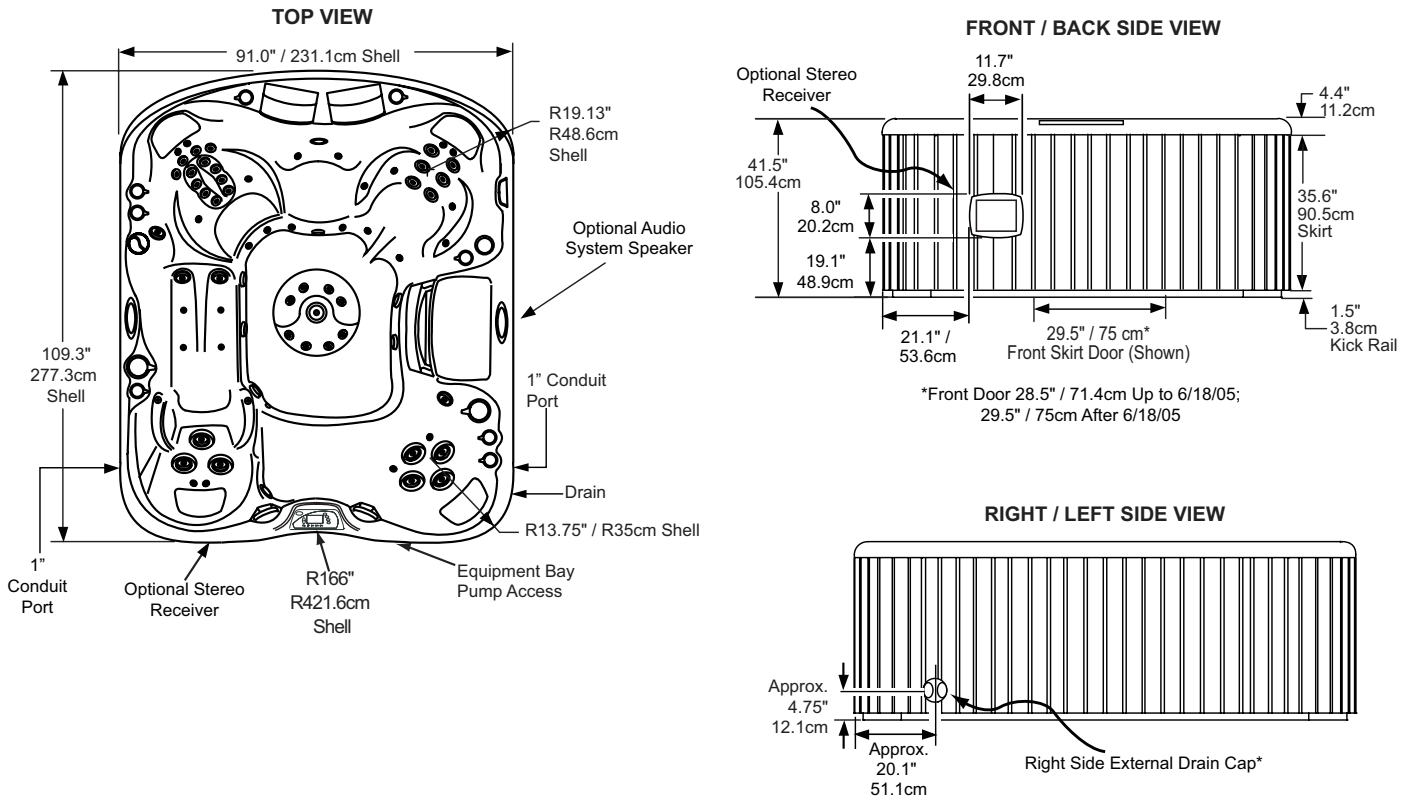
New AquaTerrace LED Waterfall and Footwell Lighting System



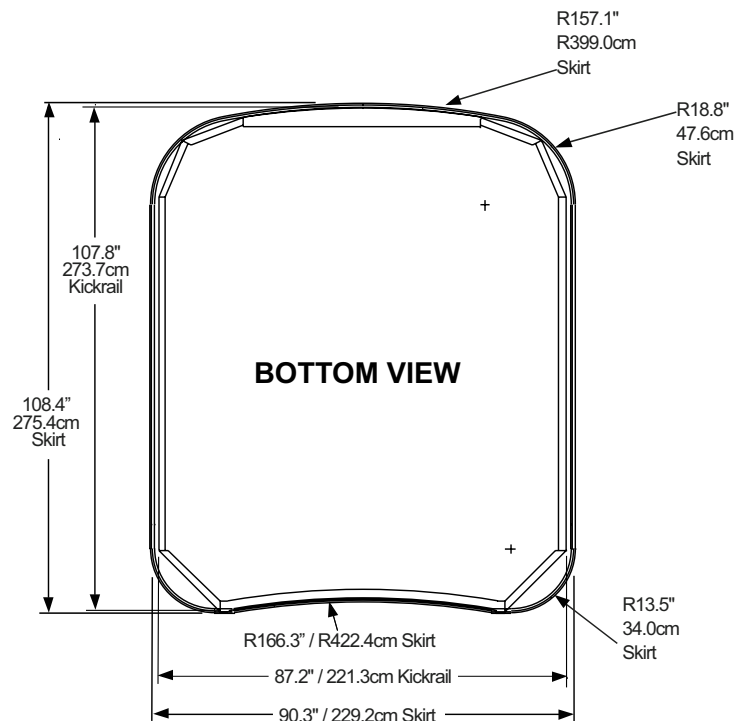
New Synthetic Birchwood Skirt Color

Sundance Spas 880 Series - 2005 Maxxus

Portable Dimensions



IMPORTANT! Always measure each hot tub for exact dimensions **BEFORE** designing its foundational support and/or decking.



Dimensions / Specifications Subject to Change Without Notice